



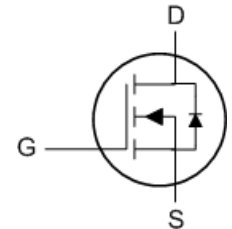
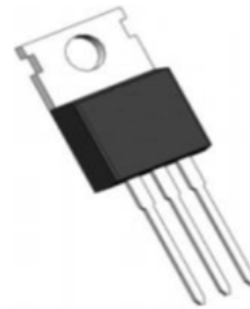
- ★ Green Device Available
- ★ Super Low Gate Charge
- ★ Excellent CdV/dt effect decline
- ★ Advanced high cell density Trench technology

Product Summary

BVDSS	RDSON	ID
40V	2.9mΩ	120A

Description

The XXWP120N04T is the high cell density trenched N-ch MOSFETs, which provide excellent RDSON and gate charge for most of the synchronous buck converter applications. The XXWP120N04T meet the RoHS and Green Product requirement, 100% EAS guaranteed with full function reliability approved.

TO220AB Pin Configuration

Absolute Maximum Ratings

Symbol	Parameter	Rating	Units
V_{DS}	Drain-Source Voltage	40	V
V_{GS}	Gate-Source Voltage	±20	V
$I_D@T_C=25^{\circ}C$	Continuous Drain Current, $V_{GS} @ 10V^{1,6}$	120	A
$I_D@T_C=100^{\circ}C$	Continuous Drain Current, $V_{GS} @ 10V^{1,6}$	83	A
I_{DM}	Pulsed Drain Current ²	480	A
EAS	Single Pulse Avalanche Energy ³	441	mJ
I_{AS}	Avalanche Current	---	A
$P_D@T_C=25^{\circ}C$	Total Power Dissipation ⁴	115	W
T_{STG}	Storage Temperature Range	-55 to 150	°C
T_J	Operating Junction Temperature Range	-55 to 150	°C

Thermal Data

Symbol	Parameter	Typ.	Max.	Unit
$R_{\theta JA}$	Thermal Resistance Junction-Ambient ¹	---	---	°C/W
$R_{\theta JC}$	Thermal Resistance Junction-Case ¹	---	1.3	°C/W

Electrical Characteristics (T_J=25 °C, unless otherwise noted)

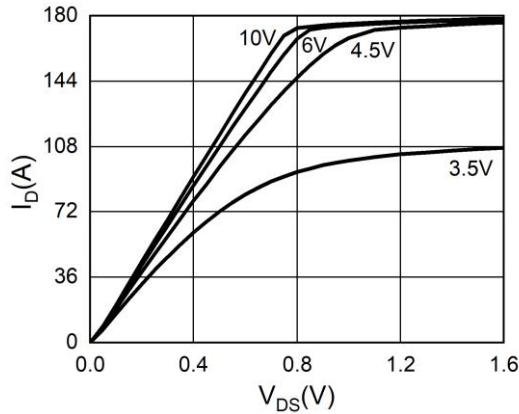
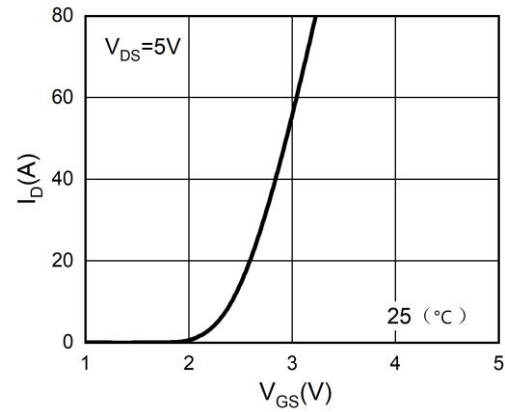
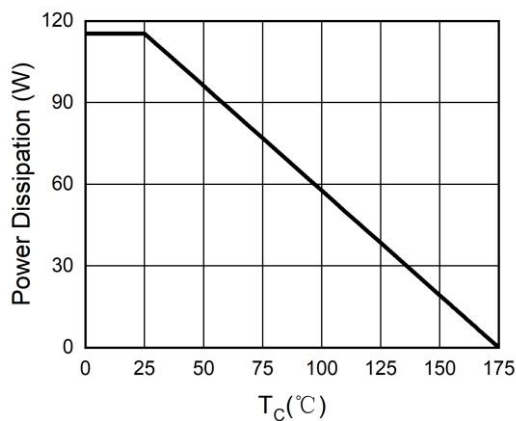
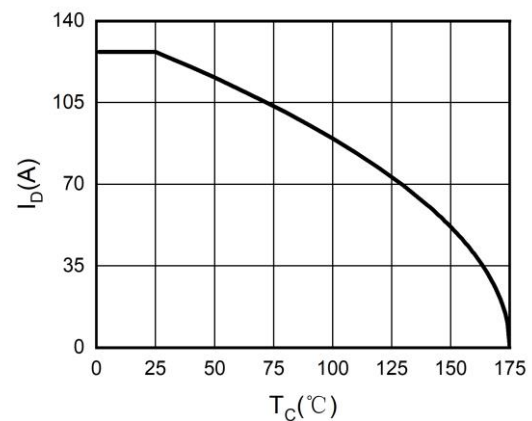
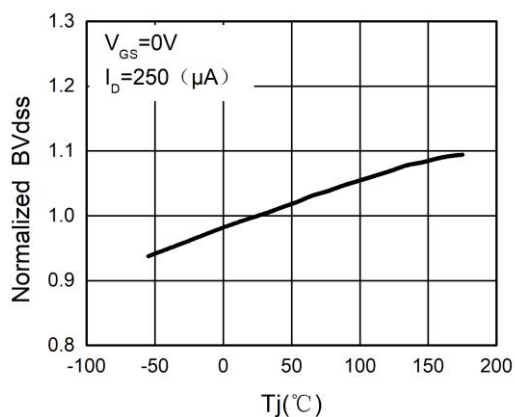
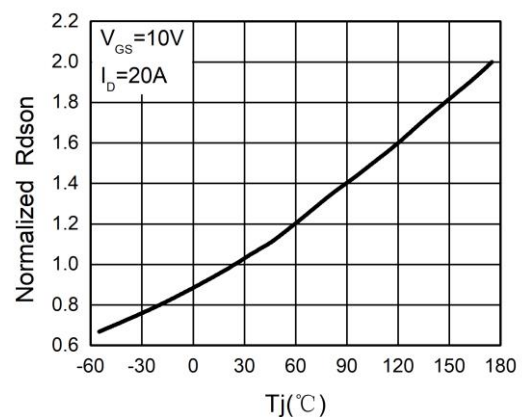
Symbol	Parameter	Conditions	Min.	Typ.	Max.	Unit
BV _{DSS}	Drain-Source Breakdown Voltage	V _{GS} =0V, I _D =250μA	40	---	---	V
ΔBV _{DSS} /ΔT _J	BV _{DSS} Temperature Coefficient	Reference to 25°C, I _D =1mA	---	---	---	V/ °C
R _{DS(ON)}	Static Drain-Source On-Resistance ²	V _{GS} =10V, I _D =19A	---	2.9	3.6	mΩ
		V _{GS} =4.5V, I _D =19A	---	3.7	4.8	
		V _{GS} =2.5V, I _D =10A	---	---	---	
V _{GS(th)}	Gate Threshold Voltage	V _{GS} =V _{DS} , I _D =250μA	1	---	2.5	V
ΔV _{GS(th)}	V _{GS(th)} Temperature Coefficient		---	---	---	mV/ °C
I _{DSS}	Drain-Source Leakage Current	V _{DS} =40V, V _{GS} =0V, T _J =25°C	---	---	1	μA
		V _{DS} =40V, V _{GS} =0V, T _J =125°C	---	---	100	
I _{GSS}	Gate-Source Leakage Current	V _{GS} =±20V, V _{DS} =0V	---	---	±100	nA
g _{fs}	Forward Transconductance	V _{DS} =5V, I _D =14A	---	39	---	S
Q _g	Total Gate Charge	V _{DS} =20V, V _{GS} =10V, I _D =19A	---	110	---	nC
Q _{gs}	Gate-Source Charge		---	20	---	
Q _{gd}	Gate-Drain Charge		---	20	---	
T _{d(on)}	Turn-On Delay Time	V _{DS} =20V, V _{GS} =10V, R _G =6Ω, R _L =1Ω	---	14	---	ns
T _r	Rise Time		---	26	---	
T _{d(off)}	Turn-Off Delay Time		---	77	---	
T _f	Fall Time		---	22	---	
C _{iss}	Input Capacitance	V _{DS} =20V, V _{GS} =0V, f=1MHz	---	6130	---	pF
C _{oss}	Output Capacitance		---	401	---	
C _{rss}	Reverse Transfer Capacitance		---	348	---	

Diode Characteristics

Symbol	Parameter	Conditions	Min.	Typ.	Max.	Unit
I _S	Continuous Source Current ^{1,4}	V _G =V _D =0V, Force Current	---	---	120	A
V _{SD}	Diode Forward Voltage ²	V _{GS} =0V, I _S =19A, T _J =25°C	---	---	1.2	V
t _{rr}	Reverse Recovery Time	I _F =19A, di/dt=100A/μs,	---	25	---	nS
Q _{rr}	Reverse Recovery Charge	T _J =25°C	---	16	---	nC

Note :

- 1.Repetitive Rating: Pulse width limited by maximum junction temperature.
- 2.EAS condition: T_J=25°C, V_{DD}=40V, V_G=10V, R_G=25Ω, L=0.5mH.
- 3.Repetitive Rating: Pulse width limited by maximum junction temperature.

Typical Electrical And Thermal Characteristics (Curves)
Figure 1. Output Characteristics

Figure 2. Transfer Characteristics

Figure 3. Power Dissipation

Figure 4. Drain Current

Figure 5. BV_{DSS} vs Junction Temperature

Figure 6. $R_{DS(ON)}$ vs Junction Temperature


Typical Electrical And Thermal Characteristics (Curves)

Figure 7. Gate Charge Waveforms

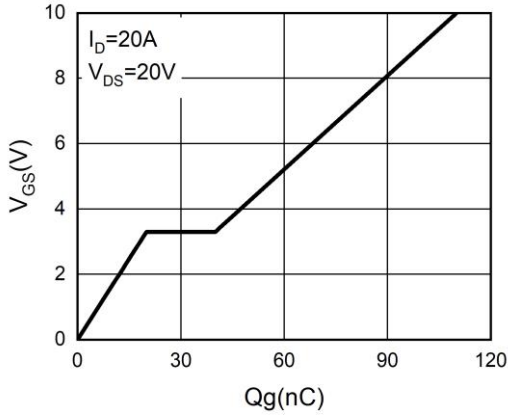


Figure 8. Capacitance

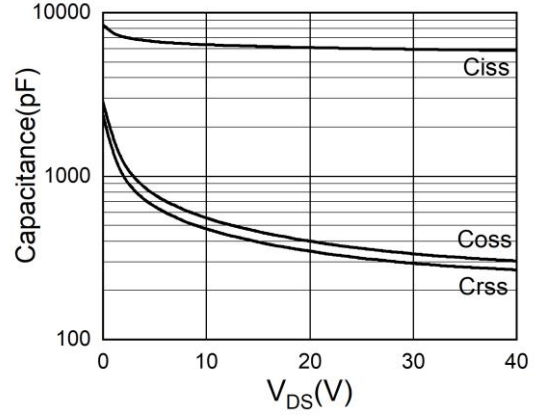


Figure 9. Body-Diode Characteristics

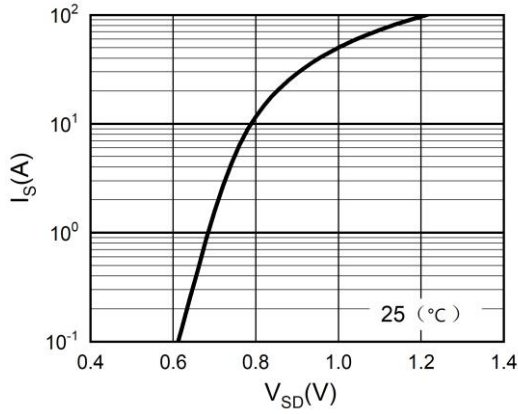
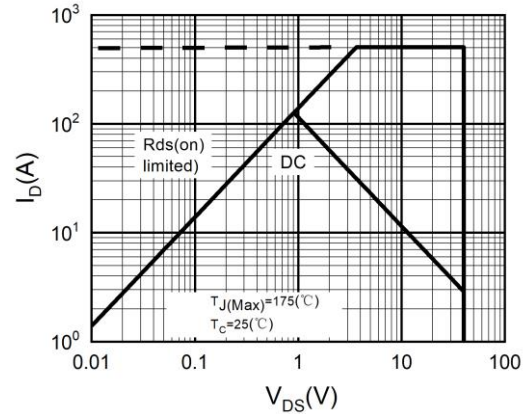


Figure 10. Maximum Safe Operating Area



Test Circuit

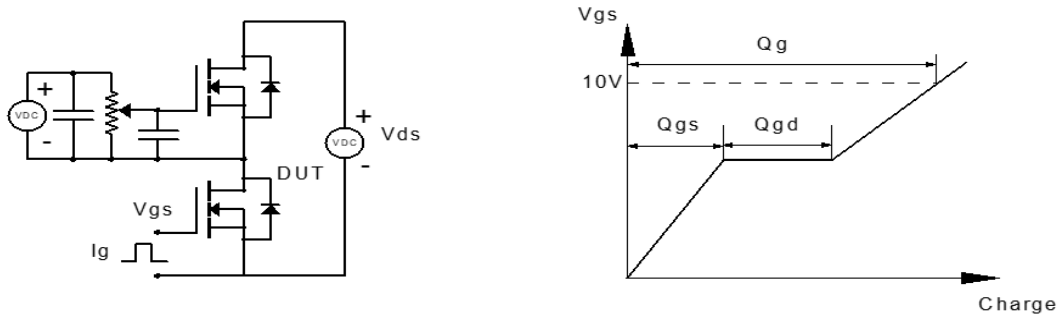


Figure 1: Gate Charge Test Circuit & Waveform

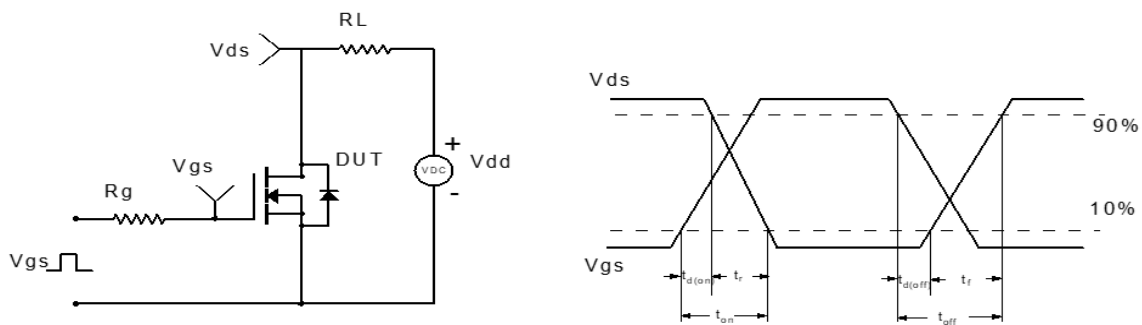


Figure 2: Resistive Switching Test Circuit & Waveform

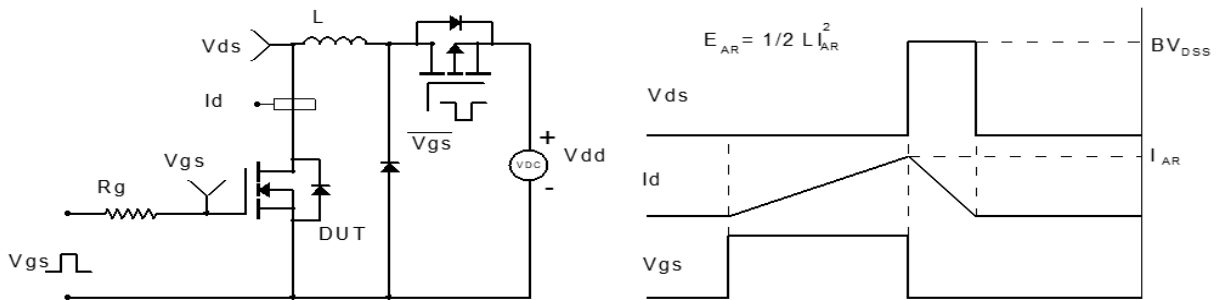


Figure 3: Unclamped Inductive Switching Test Circuit & Waveform

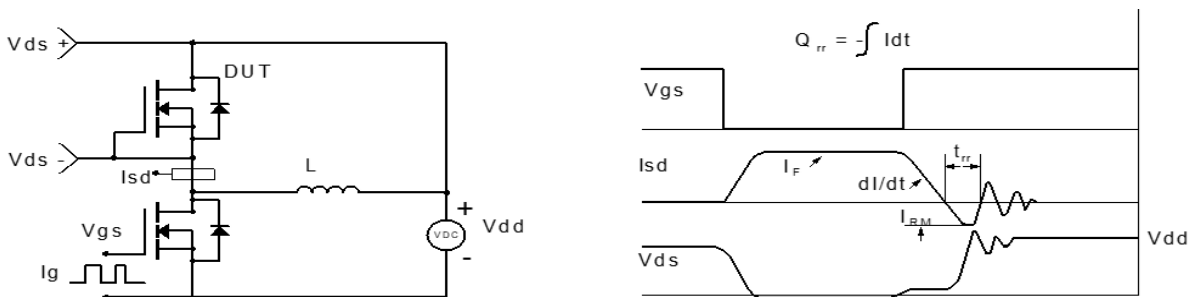
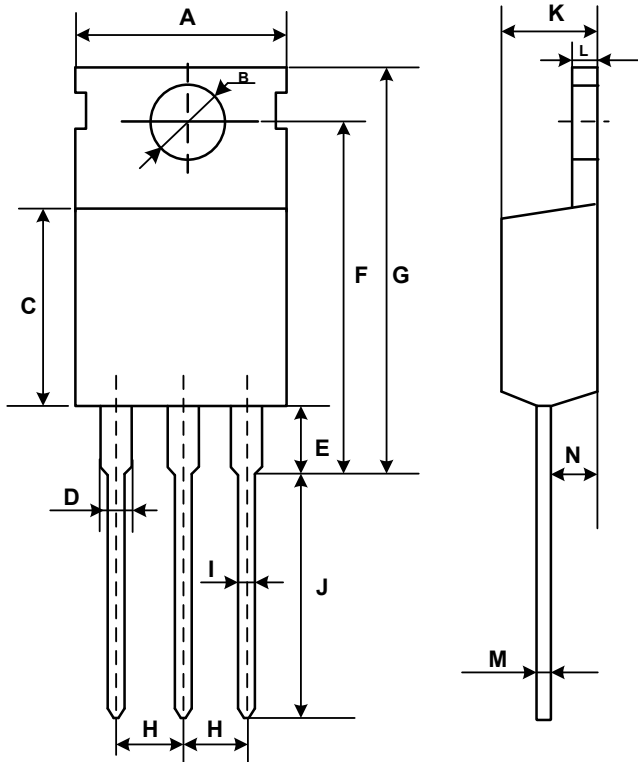


Figure 4: Diode Recovery Test Circuit & Waveform

Mechanical Dimensions for TO-220

COMMON DIMENSIONS

SYMBOL	MM	
	MIN	MAX
A	9.70	10.30
B	3.40	3.80
C	8.80	9.40
D	1.17	1.47
E	2.60	3.50
F	15.10	16.70
G	19.55MAX	
H	2.54REF	
I	0.70	0.95
J	9.35	11.00
K	4.30	4.77
L	1.20	1.45
M	0.40	0.65
N	2.20	2.60