



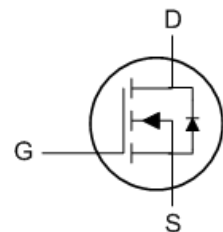
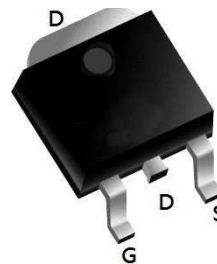
- ★ Green Device Available
- ★ Super Low Gate Charge
- ★ Excellent CdV/dt effect decline
- ★ Advanced high cell density Trench technology

Product Summary

BVDSS	RDSON	ID
20V	1.2mΩ	180A

Description

The XXW180N02 is the high cell density trenched N-ch MOSFETs, which provide excellent RDSON and gate charge for most of the synchronous buck converter applications. The XXW180N02 meet the RoHS and Green Product requirement, 100% EAS guaranteed with full function reliability approved.

TO252-3L Pin Configuration

Absolute Maximum Ratings

Symbol	Parameter	Rating	Units
V_{DS}	Drain-Source Voltage	20	V
V_{GS}	Gate-Source Voltage	± 12	V
$I_D@T_C=25^\circ C$	Continuous Drain Current, $V_{GS} @ 10V^{1,6}$	180	A
$I_D@T_C=100^\circ C$	Continuous Drain Current, $V_{GS} @ 10V^{1,6}$	96	A
I_{DM}	Pulsed Drain Current ²	560	A
EAS	Single Pulse Avalanche Energy ³	380	mJ
I_{AS}	Avalanche Current	---	A
$P_D@T_C=25^\circ C$	Total Power Dissipation ⁴	75	W
T_{STG}	Storage Temperature Range	-55 to 150	$^\circ C$
T_J	Operating Junction Temperature Range	-55 to 150	$^\circ C$

Thermal Data

Symbol	Parameter	Typ.	Max.	Unit
$R_{\theta JA}$	Thermal Resistance Junction-Ambient ¹	---	---	$^\circ C/W$
$R_{\theta JC}$	Thermal Resistance Junction-Case ¹	---	1.8	$^\circ C/W$

Electrical Characteristics (T_J=25 °C, unless otherwise noted)

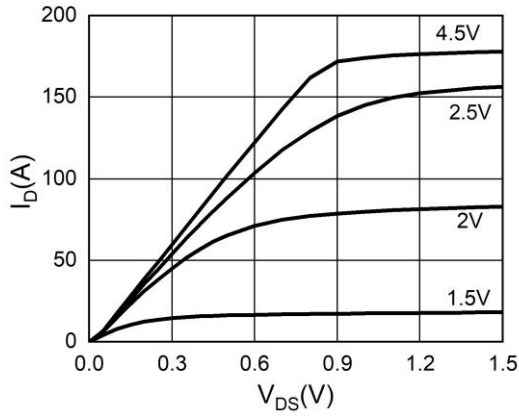
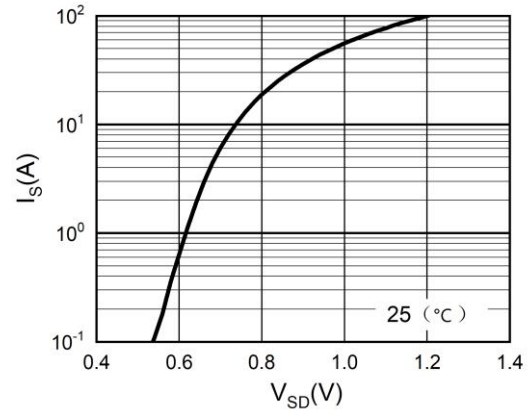
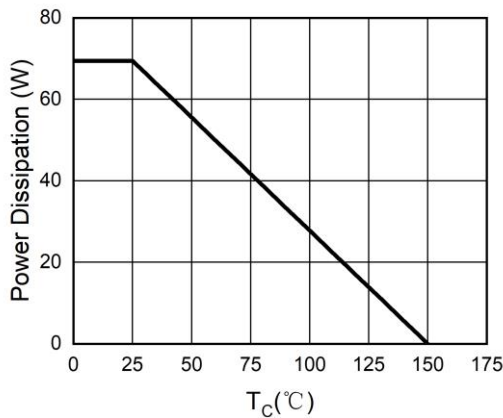
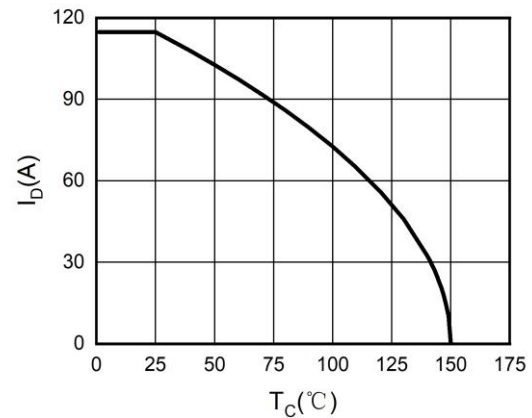
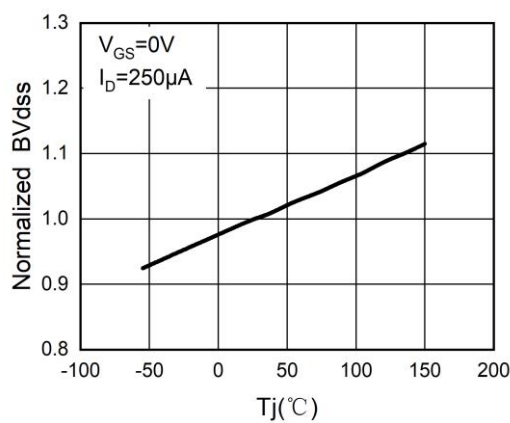
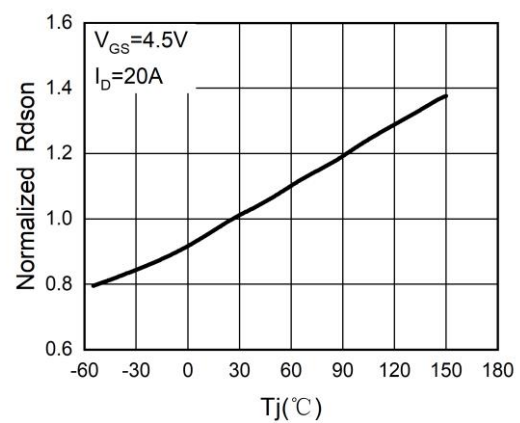
Symbol	Parameter	Conditions	Min.	Typ.	Max.	Unit
BV _{DSS}	Drain-Source Breakdown Voltage	V _{GS} =0V, I _D =250μA	20	---	---	V
ΔBV _{DSS} /ΔT _J	BV _{DSS} Temperature Coefficient	Reference to 25°C, I _D =1mA	---	---	---	V/ °C
R _{DS(ON)}	Static Drain-Source On-Resistance ²	V _{GS} =10V, I _D =21A	---	---	---	mΩ
		V _{GS} =4.5V, I _D =20A	---	1.2	1.5	
		V _{GS} =2.5V, I _D =16A	---	---	---	
V _{GS(th)}	Gate Threshold Voltage	V _{GS} =V _{DS} , I _D =250μA	0.4	---	1	V
ΔV _{GS(th)}	V _{GS(th)} Temperature Coefficient		---	---	---	mV/ °C
I _{DSS}	Drain-Source Leakage Current	V _{DS} =20V, V _{GS} =0V, T _J =25°C	---	---	1	μA
		V _{DS} =20V, V _{GS} =0V, T _J =125°C	---	---	100	
I _{GSS}	Gate-Source Leakage Current	V _{GS} =±12V, V _{DS} =0V	---	---	±100	nA
g _{fs}	Forward Transconductance	V _{DS} =5V, I _D =21A	---	---	---	S
Q _g	Total Gate Charge	V _{DS} =10V, V _{GS} =4.5V, I _D =21A	---	84	---	nC
Q _{gs}	Gate-Source Charge		---	12	---	
Q _{gd}	Gate-Drain Charge		---	16	---	
T _{d(on)}	Turn-On Delay Time	V _{DS} =10V, V _{GS} =4.5V, R _G =3Ω, R _L =0.5Ω	---	9.6	---	ns
T _r	Rise Time		---	24	---	
T _{d(off)}	Turn-Off Delay Time		---	90	---	
T _f	Fall Time		---	98	---	
C _{iss}	Input Capacitance	V _{DS} =10V, V _{GS} =0V, f=1MHz	---	6804	---	pF
C _{oss}	Output Capacitance		---	552	---	
C _{rss}	Reverse Transfer Capacitance		---	499	---	

Diode Characteristics

Symbol	Parameter	Conditions	Min.	Typ.	Max.	Unit
I _S	Continuous Source Current ^{1,4}	V _G =V _D =0V, Force Current	---	---	180	A
V _{SD}	Diode Forward Voltage ²	V _{GS} =0V, I _S =21A, T _J =25°C	---	---	1	V
t _{rr}	Reverse Recovery Time	I _F =21A, di/dt=100A/μs	---	18	---	nS
Q _{rr}	Reverse Recovery Charge	μs, T _J =25°C	---	7.2	---	nC

Note :

- 1..Repetitive Rating: Pulse width limited by maximum junction temperature.
- 2.EAS condition: T_J=25°C, V_{DD}=10V, V_G=10V, R_G=25Ω, L=0.5mH.
- 3.Repetitive Rating: Pulse width limited by maximum junction temperature.e.

Typical Electrical And Thermal Characteristics (Curves)
Figure 1. Output Characteristics

Figure 2. Transfer Characteristics

Figure 3. Power Dissipation

Figure 4. Drain Current

Figure 5. BV_{DSS} vs Junction Temperature

Figure 6. $R_{DS(ON)}$ vs Junction Temperature


Typical Electrical And Thermal Characteristics (Curves)

Figure 7. Gate Charge Waveforms

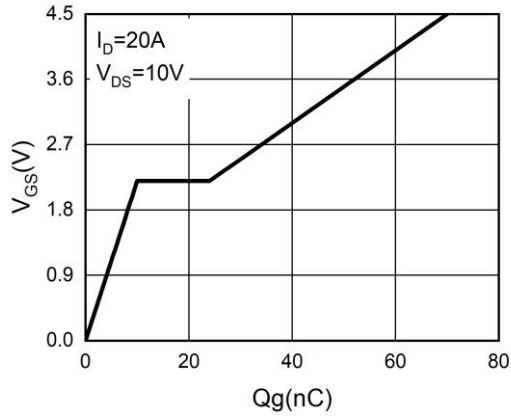


Figure 8. Capacitance

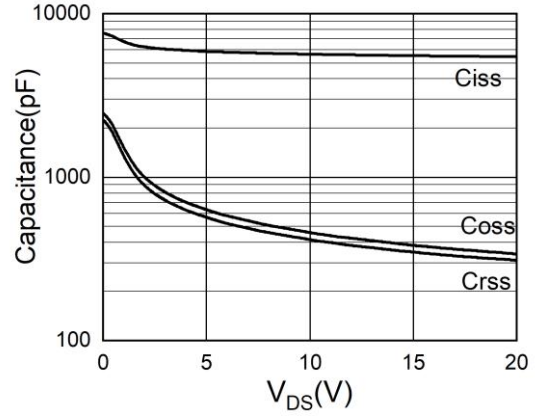


Figure 9. Body-Diode Characteristics

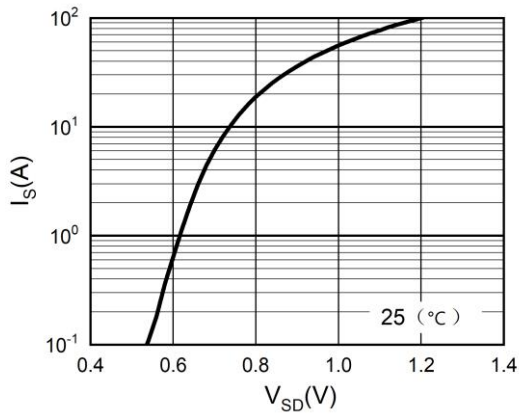
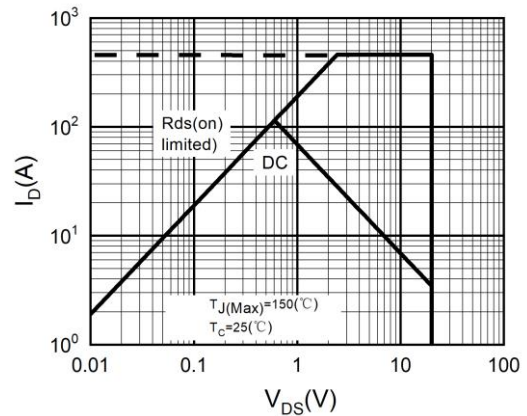


Figure 10. Maximum Safe Operating Area



Test Circuit

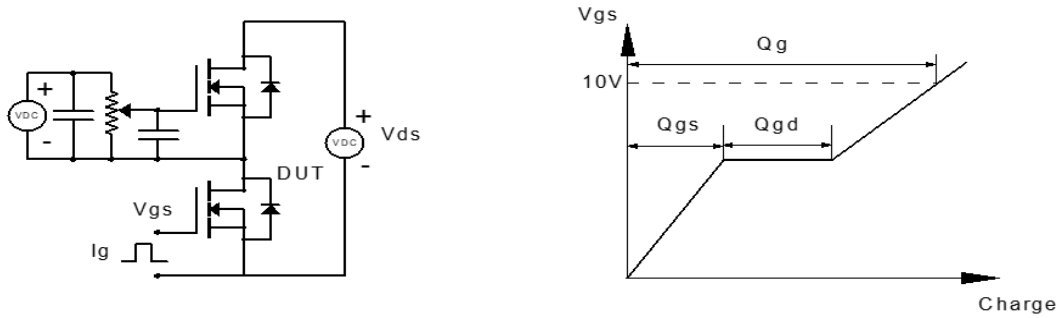


Figure 1: Gate Charge Test Circuit & Waveform

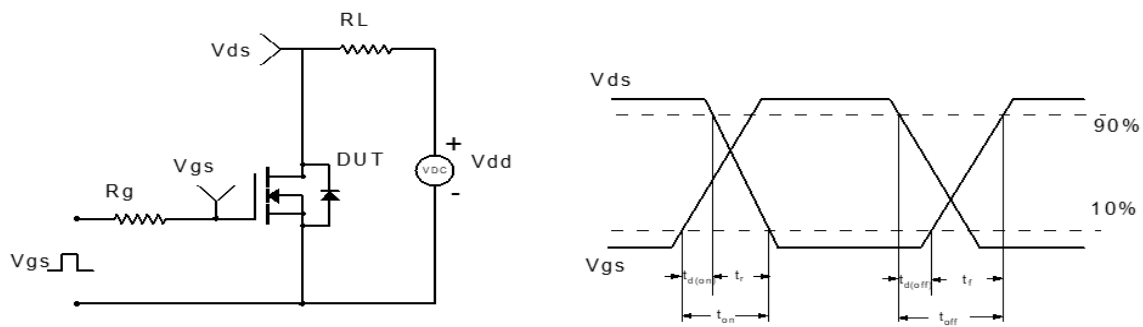


Figure 2: Resistive Switching Test Circuit & Waveform

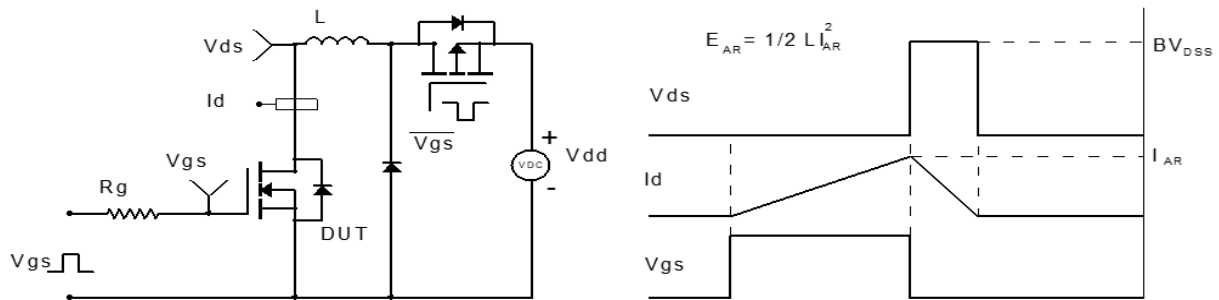


Figure 3: Unclamped Inductive Switching Test Circuit & Waveform

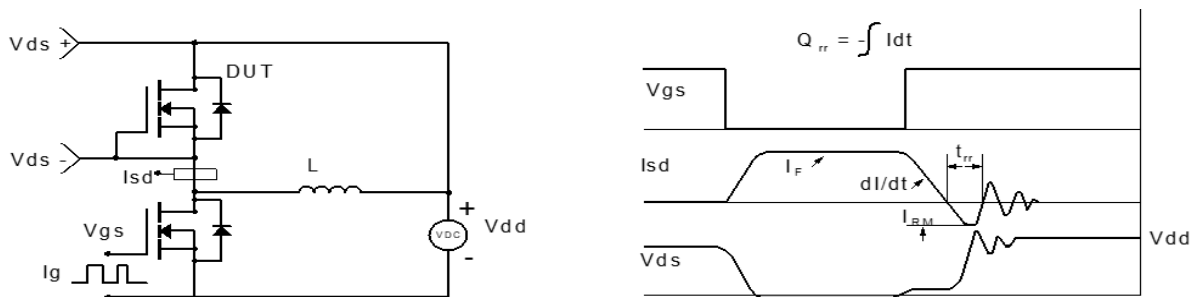
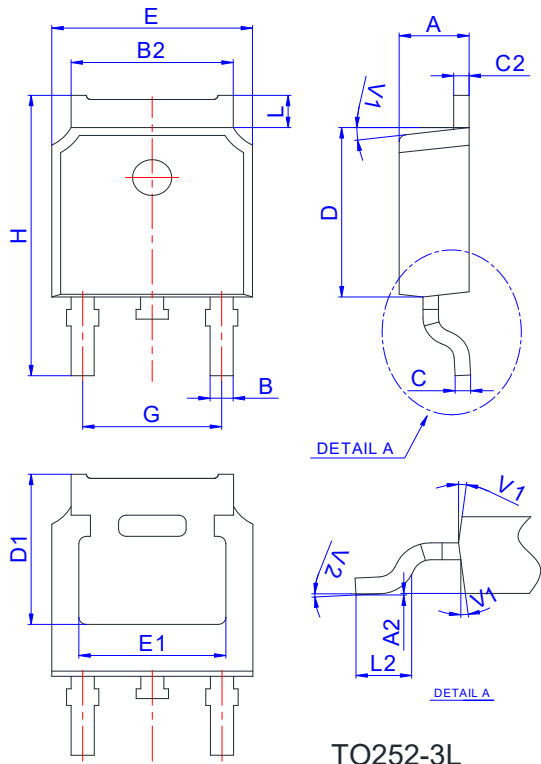
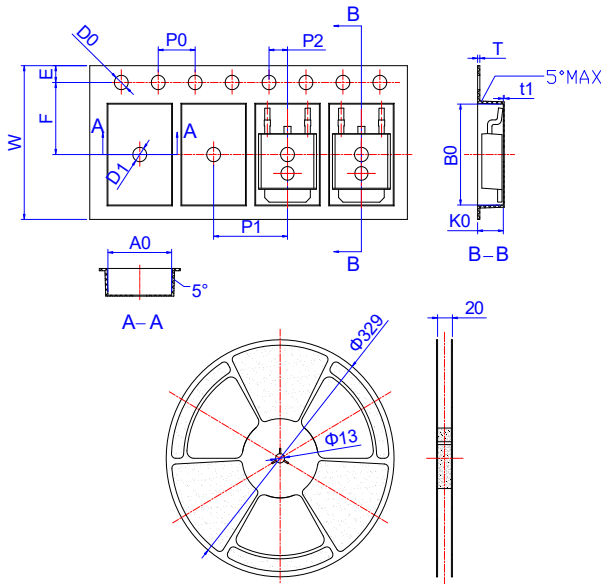


Figure 4: Diode Recovery Test Circuit & Waveform

Package Mechanical Data-TO252-3L


Ref.	Dimensions					
	Millimeters			Inches		
	Min.	Typ.	Max.	Min.	Typ.	Max.
A	2.10		2.50	0.083		0.098
A2	0		0.10	0		0.004
B	0.66		0.86	0.026		0.034
B2	5.18		5.48	0.202		0.216
C	0.40		0.60	0.016		0.024
C2	0.44		0.58	0.017		0.023
D	5.90		6.30	0.232		0.248
D1	5.30REF			0.209REF		
E	6.40		6.80	0.252		0.268
E1	4.63			0.182		
G	4.47		4.67	0.176		0.184
H	9.50		10.70	0.374		0.421
L	1.09		1.21	0.043		0.048
L2	1.35		1.65	0.053		0.065
V1		7°			7°	
V2	0°		6°	0°		6°

Reel Specification-TO252-3L


Ref.	Dimensions					
	Millimeters			Inches		
	Min.	Typ.	Max.	Min.	Typ.	Max.
W	15.90	16.00	16.10	0.626	0.630	0.634
E	1.65	1.75	1.85	0.065	0.069	0.073
F	7.40	7.50	7.60	0.291	0.295	0.299
D0	1.40	1.50	1.60	0.055	0.059	0.063
D1	1.40	1.50	1.60	0.055	0.059	0.063
P0	3.90	4.00	4.10	0.154	0.157	0.161
P1	7.90	8.00	8.10	0.311	0.315	0.319
P2	1.90	2.00	2.10	0.075	0.079	0.083
A0	6.85	6.90	7.00	0.270	0.271	0.276
B0	10.45	10.50	10.60	0.411	0.413	0.417
K0	2.68	2.78	2.88	0.105	0.109	0.113
T	0.24		0.27	0.009		0.011
t1	0.10			0.004		
10P0	39.80	40.00	40.20	1.567	1.575	1.583